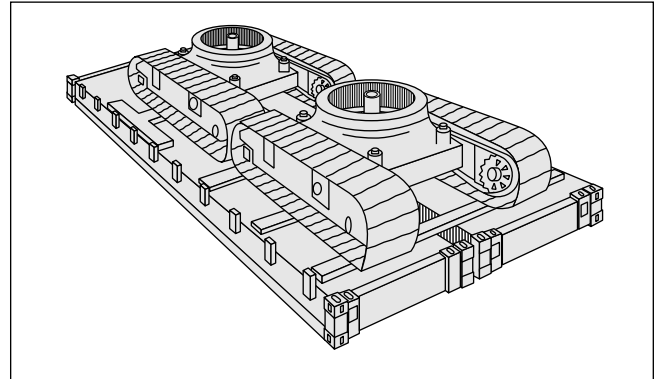
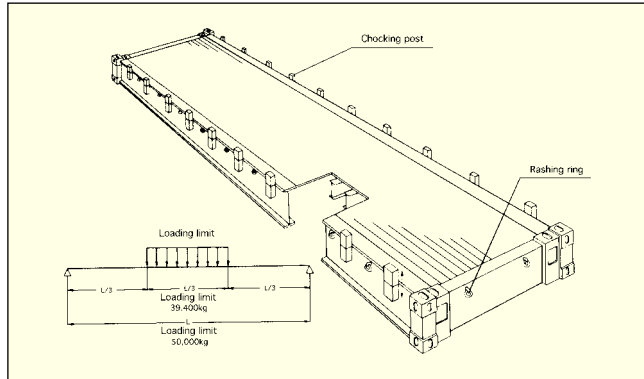


40' Plat Form



Height	Material	Tare Weight (kg/1bs)	Max* Cargo Cap. (kg/1bs)	Door Opening		Interior Dimensions			Interior Cube (m³/cft)
				Width (mm/ft)	Height (mm/ft)	Length (mm/ft)	Width (mm/ft)	Height (mm/ft)	
	Steel	6,160 13,580	50,000 110,231	—	—	12,192 40' 0"	2,438 8' 0"	—	—

Remarks * : Subject to road and rail weight limitations.
: Above are typical figures for this type of containers.